

EVALUATION OF HUMAN PERSPECTIVES IN SYSTEMS OF SYSTEMS: A CHALLENGE OF THE FUTURE MODELING AND SIMULATIONS DEVELOPMENT

Henrik Friman and Gunilla Derefeldt

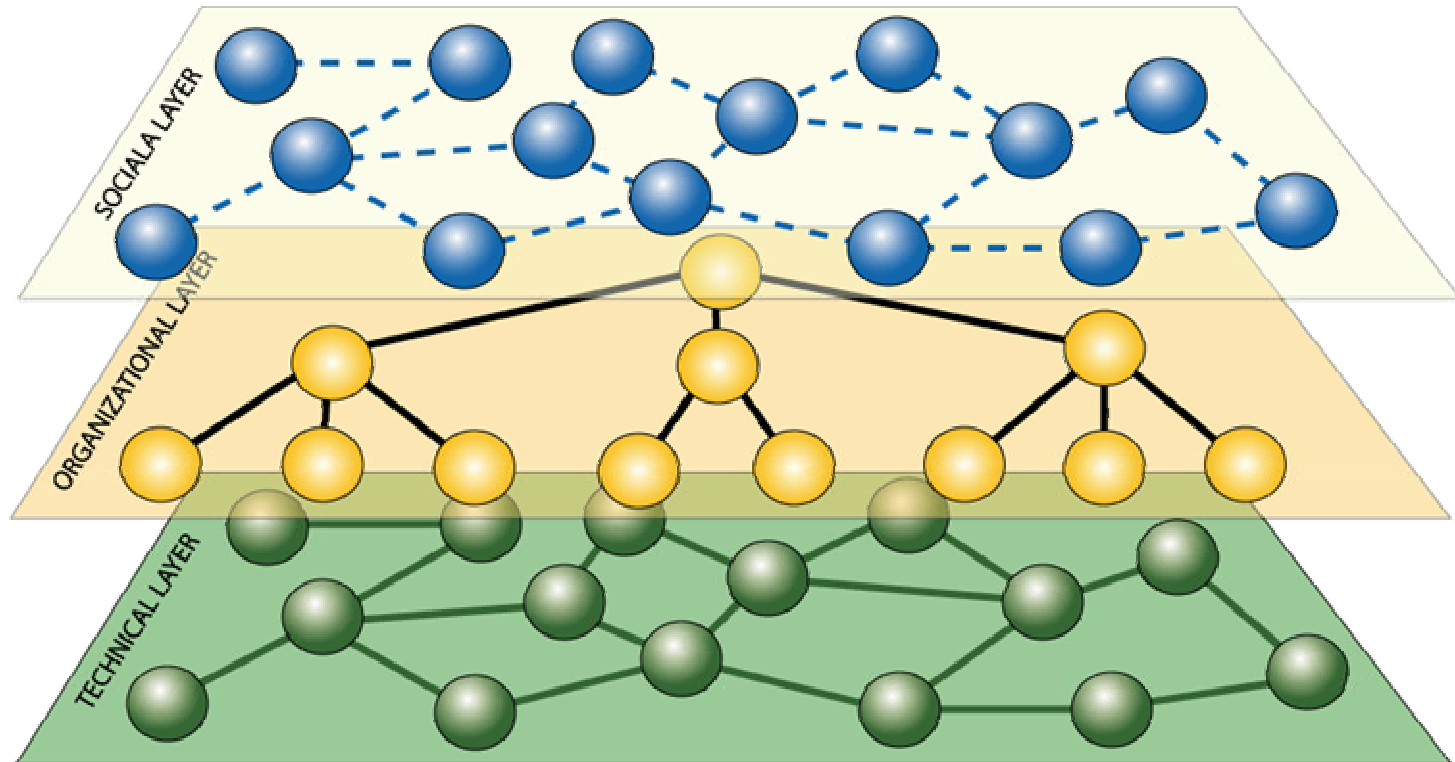


The Complex Network Society

- Network societies are based on sensors, decisions and services
- Not just value changes of products
- All processes don't need to have their own or all sensors or services, which gives lower costs and/or increase effects out of the processes
- The focus is more on the relations than the platforms



Different types of Networks

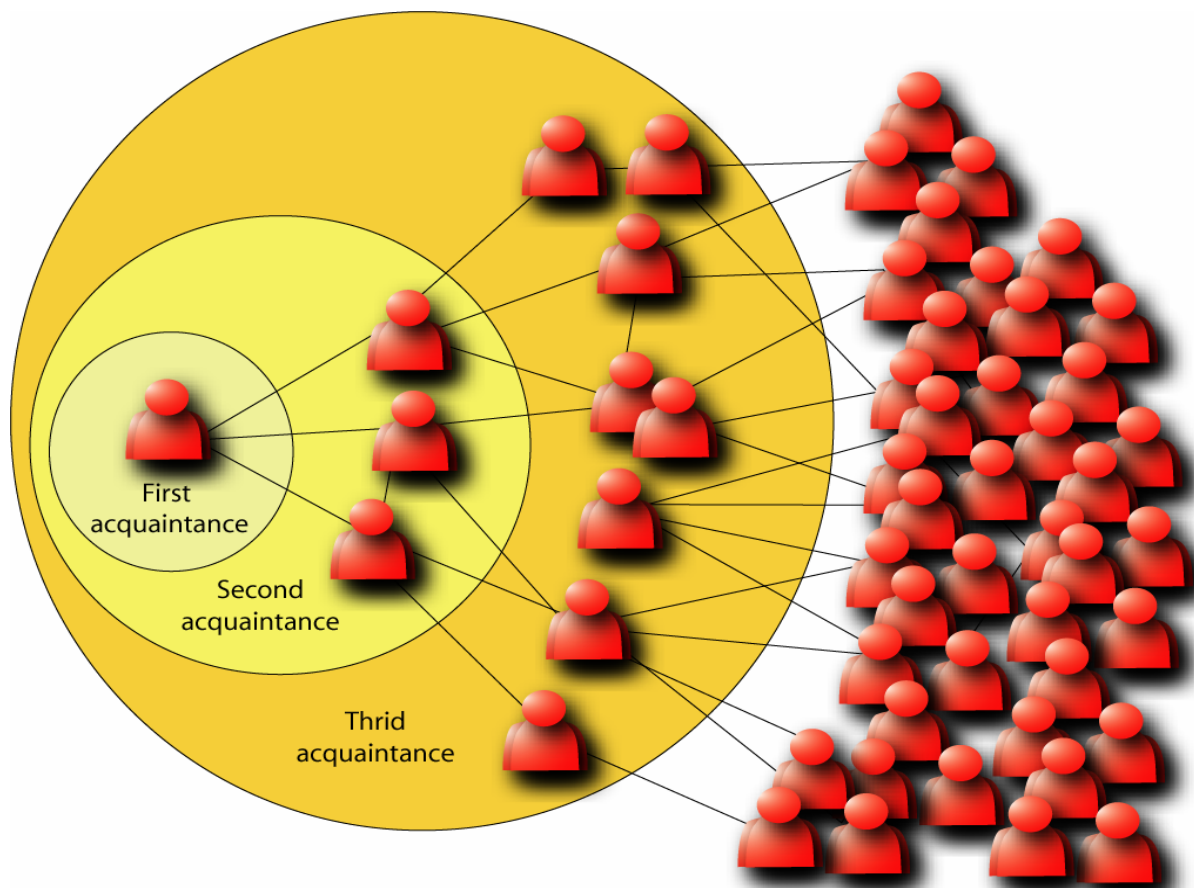


“One might define military culture as the sum of intellectual, professional, and traditional values possessed by an officer corps”

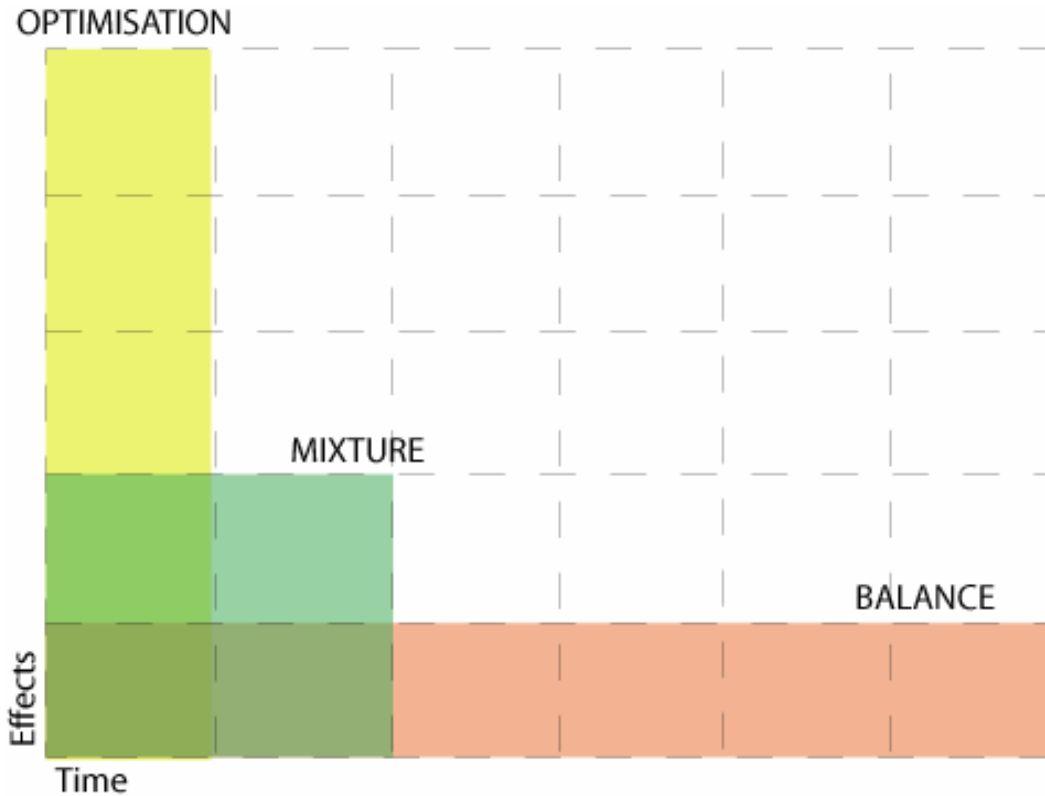
Murray (1996:p 26)



Social Networks

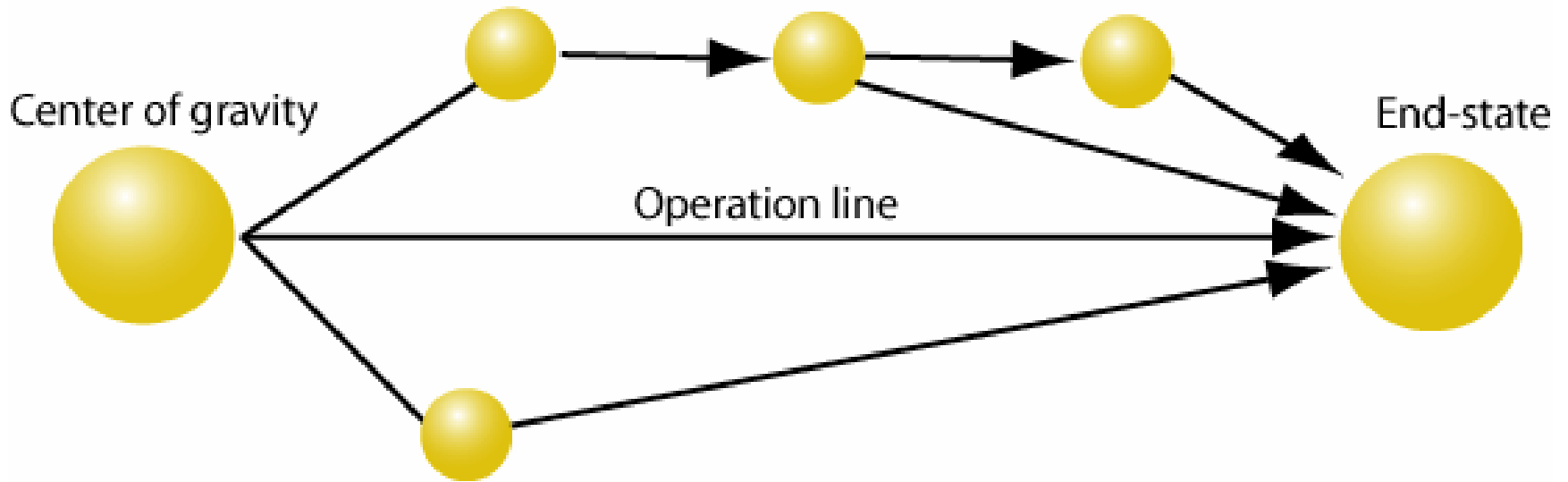


Effects of optimization and balance



Traditional GOP process

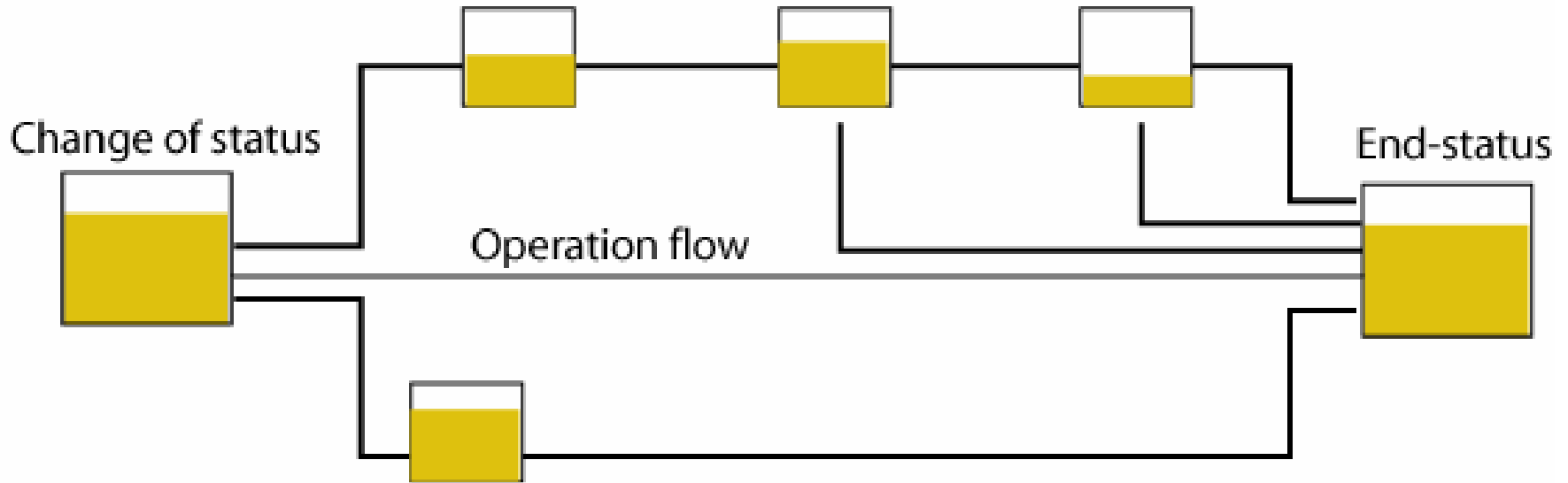
 = Decisive points



Traditional GOP process

Taking Balance into GOP

 = Decisive status



Balanced GOP process



Value chains trough GOP (the potential grid)

● = Decisive points

